

Dry Tech



Presentation

The Dry-Type Transformers, with epoxy-encapsulated coils under vacuum, from DRY TECH series, manufactured in up to 2MVA rated power, in the voltage classes up to 15kV, are recommended for application in industrial electrical substations and business centers, which require convenience, safety, performance and reliability. They are compact, manufactured with advanced technology, meeting requirements from ABNT-NBR and IEC-EN standards, produced in modern equipment, employing materials and productive process that are certified and guaranteed by ISO 9001:2008 standard. The DRY TECH Dry-Type Transformers' application results in higher safety and saving, enabling its use next to the loads center, reducing expenditures with low voltage facilities and improving their performance. They also eliminate expenditures with other items, such as explosion-proof environment, fire doors, and drains to collect the insulating liquid and protective barriers.

Construction

The magnetic core manufactured in low loss, grain-oriented silicon steel sheets. The HV and LV coils are manufactured with high-purity aluminum conductors in continuous winding, reducing mechanical stress efforts, while the LV coils are impregnated and the HV coils are encapsulated in epoxy resin under high vacuum, then annulling the presence of micro bubbles, mitigating the index of partial discharges. All Transformers are tested in accordance to the standards ABNT NBR 10295 / 5356-1/5 and dispatched with the respective test reports.

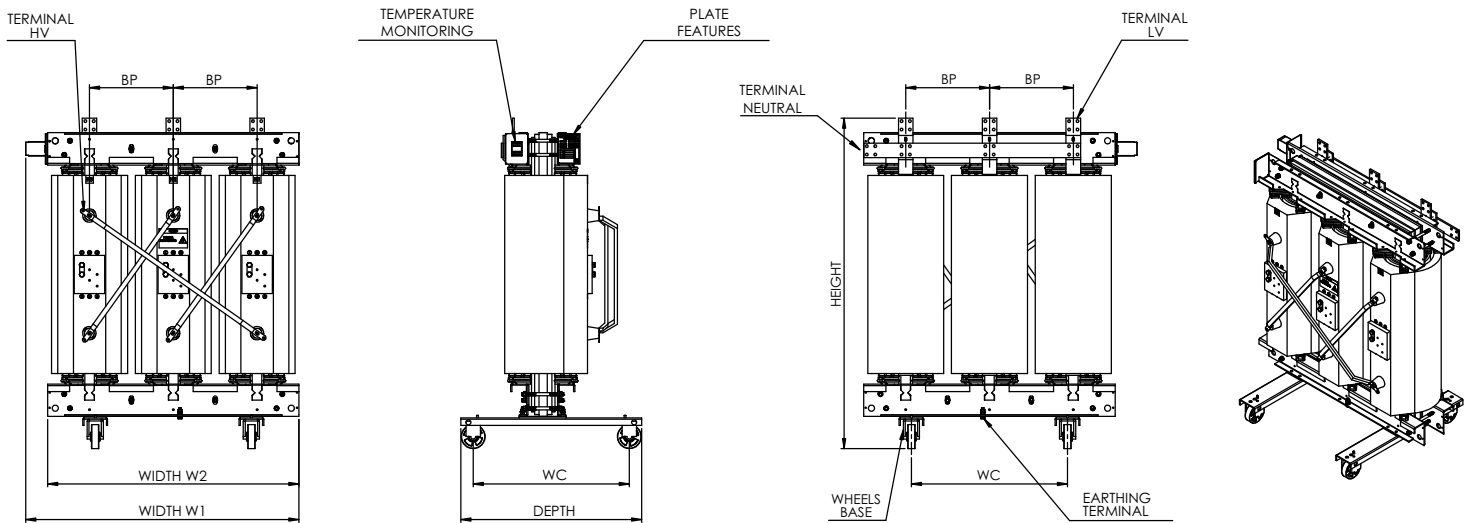
Standard Transformer Characteristics

HV Voltage Class	7,2 / 15,0 kV	(other features on request)
HV Withstand Applied Voltage	20 / 34 kV	
Basic Impulse Level	40 / 95 kV	
Partial Discharges (induced 2x Vn)	< 10pC	
LV Maximum Voltage Level	1,2 KV	
LV Withstand Applied Voltage	10 KV	
Vector Group	Dyn1	
Frequency	60Hz	
Class of Material and Temper. Rise	F-155°C / 105°C	
Standards	ABNT NBR 10295 / 5356-1/5	

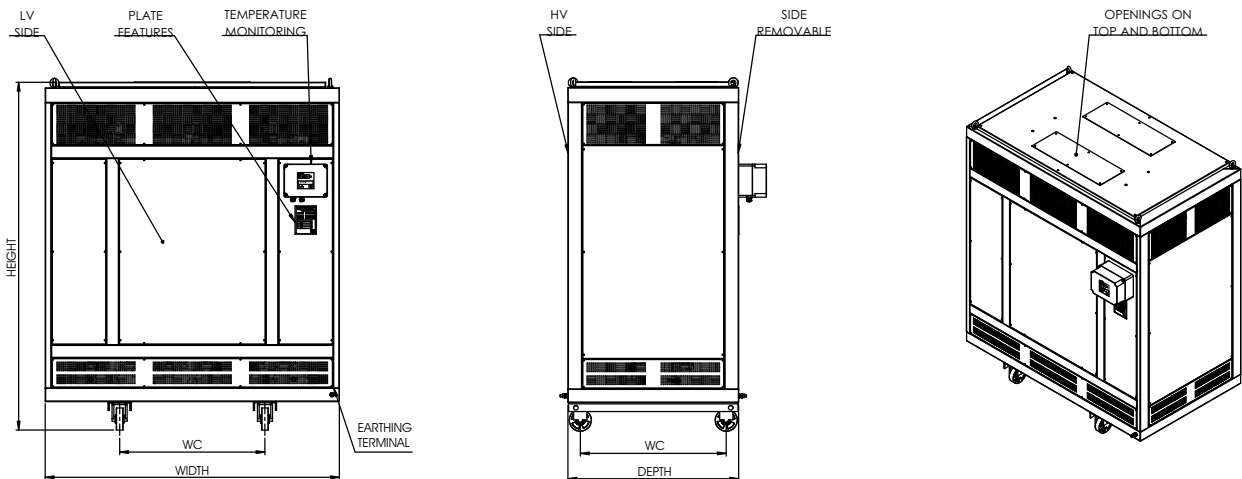
Included Accessories IP 00 and IP 21

Orientable Wheels	(other features on request)
PT-100 sensors in the 3 phases	
Analogic Temperature Controller	
Alarm and Power Down Outputs	
Earthing Terminal	
Lifting Eyebolts	
Characteristic Plate	
Metallic Cabinet Protection Degree (only IP 21)	





IP 00 / Voltage Class: 15kV	Power	Width		Depth	Height	Wheel Center	Between Phases	Total Approx. Weight	Losses - Watts (at 115°C)		Short Circuit Voltage	Excitation Current	Noise Level	Inrush Current
	KVA	W1	W2	D	H	WC	BP	KG	VOID (WO)	TOTALS (WT)	EZ% (115°C)	VOID (IO)	(NL)	MAXIMUM
112,5	1175	1035	850	1150	520	345	530	700	3000	5,50	3,50%	58	15 x In	
150	1235	1095	850	1320	520	365	650	850	3500	6,00	3,00%	58	14 x In	
225	1310	1170	850	1320	520	390	850	1100	4300	6,00	2,60%	58	13 x In	
300	1340	1200	900	1490	670	400	1030	1250	6000	6,50	2,40%	58	12 x In	
500	1400	1260	900	1540	670	420	1260	1800	10000	6,50	2,20%	64	12 x In	
750	1460	1320	950	1800	820	440	1630	2100	12500	6,50	1,90%	64	11 x In	
1000	1550	1410	950	1900	820	470	2000	2800	15000	6,75	1,80%	64	11 x In	
1250	1670	1530	1000	1900	820	510	2400	3500	17000	6,75	1,70%	65	11 x In	
1500	1745	1605	1000	1950	820	535	2800	4000	22000	6,75	1,60%	65	10 x In	
2000	1865	1725	1300	1950	1070	575	3250	5400	25000	7,25	1,50%	66	10 x In	



IP 21 / Voltage Class: 15kV	Power	Width	Depth	Height	Wheel Center	Between Phases	Total Approx. Weight		Losses - Watts (at 115°C)		Short Circuit Voltage	Excitation Current	Noise Level	Inrush Current
	KVA	W1	D	H	WC	BP	ENCLOSURE (KG)	TOTAL (KG)	VOID (WO)	TOTALS (WT)	EZ% (115°C)	VOID (IO)	(NL)	MAXIMUM
112,5	1400	860	1400	520	345	90	620	700	3000	5,50	3,50%	58	15 x In	
150	1400	860	1400	520	365	100	750	850	3500	6,00	3,00%	58	14 x In	
225	1400	860	1400	520	390	130	980	1100	4300	6,00	2,60%	58	13 x In	
300	1700	910	1650	670	400	160	1190	1250	6000	6,50	2,40%	58	12 x In	
500	1700	910	1650	670	420	190	1450	1800	10000	6,50	2,20%	64	12 x In	
750	1800	960	2000	820	440	250	1880	2100	12500	6,50	1,90%	64	11 x In	
1000	1800	960	2000	820	470	300	2300	2800	15000	6,75	1,80%	64	11 x In	
1250	1950	1010	2100	820	510	360	2760	3500	17000	6,75	1,70%	65	11 x In	
1500	1950	1010	2100	820	535	420	3220	4000	22000	6,75	1,60%	65	10 x In	
2000	2300	1310	2200	1070	575	480	3730	5400	25000	7,25	1,50%	66	10 x In	

NOTES: ORIENTATION DIMENSIONS AND INFORMATION, SUBJECT TO MODIFICATION WITHOUT PREVIOUS NOTICE. OTHER VOLTAGE, POWER CLASSES AND DIFFERENT PROTECTION LEVELS, UNDER INQUIRY.